





Physilog® 5

High Quality Motion Sensor

Our latest generation Physilog® is a compact and versatile wearable device for sensing movement of any kind. Benefit from 18 years of R&D, collaboration and trust with top clinics, researchers and industrial partners, for applications in health monitoring, sports, entertainment and more. For applications in science: www.gaitup.com/science



Unique features

- ✓ Waterproof and dust resistant 
- ✓ Multi-standard wireless connectivity 
- ✓ Long-term motion recording and on-board processing  
- ✓ microUSB port for rapid file transfer and universal charging 

Software

- > Free SDKs for accessing raw data and 3D angles
- > Free companion App to sync, check battery, and program sensors
- > Free MATLAB/Python/C/C++ routines to sync, stream, read, plot
- > Professional applications for Gait and Running
- > On-demand custom algorithm libraries and OEM/licencing

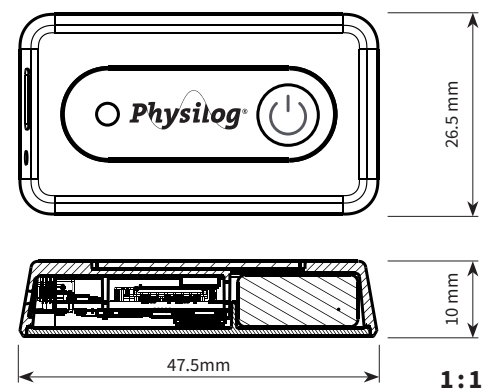
Specifications

Component	Manufacturer	Remarks
Inertial Sensors	STMicroelectronics	3D Accelerometer up to 16g 3D Gyroscope up to 2000°/s
Ambient Sensor	STMicroelectronics	Barometric altitude from 260 to 1260 hPa Temperature sensor accuracy of +/-1.5°C
Radio Chip	Nordic Semiconductors	Multi-standard: Bluetooth Low Energy (BLE), Ant+, and Near field communication (NFC)
Internal Memory	Apacer	Class 10 microSD Card, 8Gb
Microcontroller	Nordic Semiconductors	ARM® Cortex® M4 with floating-point for on-board processing
Micro-USB interface	Amphenol FCI & Microchip	Waterproof IP64, with dedicated chip for fast data transfer. High-speed USB 2.0
Battery	Renata	Lithium Ion Polymer Accumulators 3.7V 140mAh
Plastic Enclosure	ABS Poly(lac® PA-757	Biocompatible with bi-color LED and 8mm button
Operating Temperature		From -20° to 45° C
Assembly	Locatis Electronics SA (CH)	Weight 11 grammes Dimensions 26,5x47,5x10 mm

Accessories

- > Rubber clip (for shoe laces/belt)
- > Elastic Velcro® straps
- > Bio-compatible patches (for skin)
- > Transport case
- > microUSB <-> USB cables
- > External sync. with lab systems

Size



Certifications

Medical CE class 1 pending, ISO 13485 certified (IEC 60950, IP64 RT&TE, FCC, IC)

